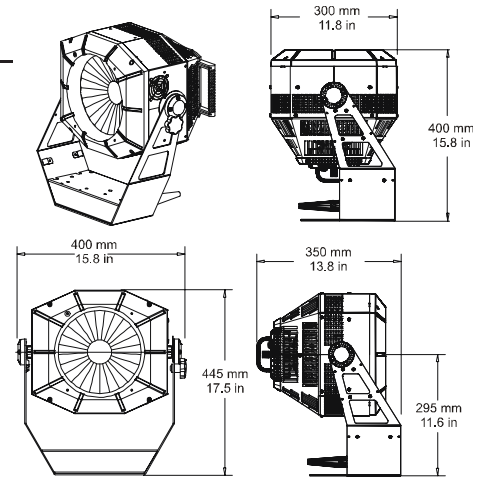


ColorCommand™ MECHANICAL SPECIFICATIONS

Fixture	Packed for Shipping
mm: 350 x 400 x 445	mm: 531 x 588 x 952
in: 13.8 x 15.8 x 17.5	in: 21 x 23 x 37.5
Weight: 9.1 kg (20 lbs)	Weight: 11.3 kg (25 lbs)

Mounting Information: ColorCommand® may be mounted by attaching suitable clamps with locking washers through the holes on top of the yoke. Cheeseborough truss clamps and 1/2" nut/bolt sets may be purchased separately.

Colors Available: Black.



ColorCommand™ ELECTRICAL/ LIGHT SOURCE SPECIFICATIONS

Lamp: Phillips Halogen Biplanar

Lamp Power Input: 115V/230V

Lamp Type	Power Consumption	Lamp Life	Color Temperature
Philips 750W/115V	7A @115V, 50/60Hz	300 hrs.	3200K
Philips 800W/230V	3/5A@230, 50/60Hz	400 hrs	3100K

Rated Power: 800W maximum

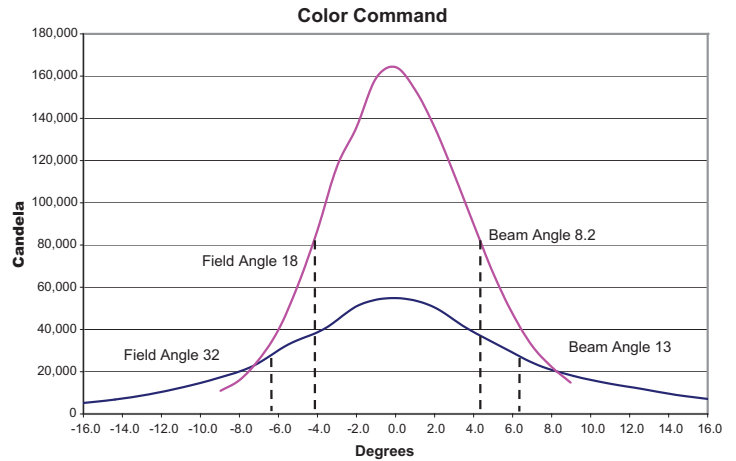
Control Power Input: 40VDC/750 mA

Lumens: 5000

Field lumens: 4500

Field angle range: 18° - 32°

Beam angle range: 8° - 13°



ColorCommand™ OPERATION

Tilt: Manual: 270°

Minimum Focus Distance: 1 meter

Compliances: CE, CETL, ETL

Connectors: 4-pin male and female XLR data connectors

Environmental Tolerances: Maximum Ambient Temperature: 40° C (104° F)

Minimum Distance to Flammable Objects: 1m (3.28ft)

Maximum Exterior Surface Temperature: 200° C (392° F)

Minimum Distance to Lighted Object: 1m (3.28ft)

ColorCommand™ DMX CHANNELS

Channel	Function
1	Yellow
2	Magenta
3	Cyan
4	Beam Angle

ColorCommand features CMY subtractive color mixing



PART NUMBERS

Fixture

64010001:	Fixture, Color Command, Black
65020001:	Supply, Color Power, Black

Lamps

55030064:	Philips 750W/115V
55030065:	Philips 800W/230V

Accessories

26040002:	DMX Upload Dongle
90701349:	Safety Cable
80470215:	Terminator plug
55040014:	Truss Clamp